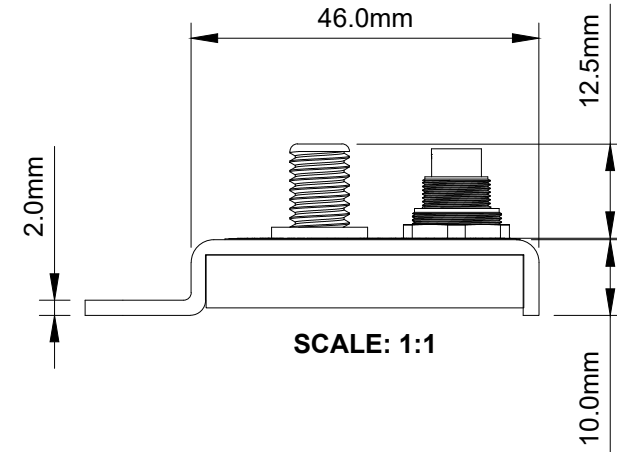
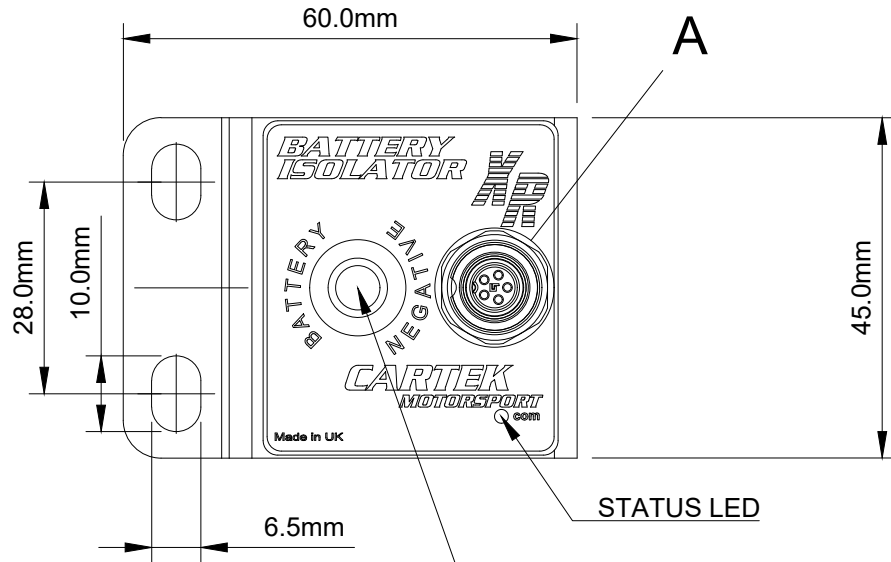
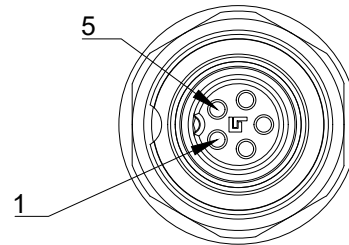


**SCALE: 1:1** All dimensions in millimetres  $\pm 0.1$  unless stated otherwise.





M8 BRASS STUD



PIN	DESTINATION
1	ENGINE KILL SIGNAL OUTPUT
2	INTERNAL BUTTON +
3	INTERNAL BUTTON -
4	EXTERNAL KILL BUTTON
5	12V+ INPUT

BINDER 09 0415 90 05

A(2:1)

Dept.	Technical reference	Created by <b>Declan Armstrong</b>	Approved by					
		Document type	Document status					
		Title <b>Battery Isolator XR</b>	DWG No. <b>CK-BR-06-DWG</b>					
			<table border="1"> <tr> <td>Rev.</td> <td>Date of issue</td> <td>Sheet</td> </tr> <tr> <td></td> <td>20/04/2017</td> <td>1/1</td> </tr> </table>	Rev.	Date of issue	Sheet		20/04/2017
Rev.	Date of issue	Sheet						
	20/04/2017	1/1						