

DATA SHEET



The CARTEK Power Distribution Panel is a fully integrated, fully electronic solution to power distribution in race and rally cars. Designed to replace Fuses, Relays and Switches as well as a variety of control systems, these units therefore greatly simplify the wiring, reducing build time, saving weight and maximising reliability.

The Power Distribution Panel takes +12V power directly from the Battery then distributes this to all of the electrical systems around the car. All power outputs from the Power Distribution Panel are controlled from the front panel Pushbuttons or from external switches and inputs. All Power Outputs are fully protected with 7 selectable current settings thereby completely removing the need for fuses or circuit breakers. The Function of each Channel is also selectable from a choice of 8 different options.

FEATURES

- 8 or 16 User Configurable Channels (no Laptop required)
- Selectable current settings of 0, 5, 10 or 15 Amps. Combine two channels together for 20, 25 or 30 Amps
- Selectable Functions such as
 - Momentary action (Starter Motor, Washer Pump etc)
 - Latching (with memory)
 - Latching (without memory)
 - Latching with Time Delay (Heated Screen)
 - Flashing (Indicators etc)
 - Toggling (Headlights High Beam/Low Beam)
 - 0v Momentary action (use as ordinary switch for ECU Map etc)
- Over Current and Short Circuit Protection - no Fuses or Relays needed.
- Label Sheets included for full customisation.
- 2 Back-light settings as standard.
- 8/16 Momentary Switch Inputs - allowing any channel to be operated by an additional switch or the Cartek Wireless Control System.
- 8/16 ECU Inputs - allows the ECU to turn on channels such as Fuel Pumps.
- 4 Dedicated function inputs - Flash Input for Lights, Wash Input for Wipers, Wiper Park position etc.

PARTS LIST

PART NO	DESCRIPTION
CK-PDP-16	16 Channel Power Distribution Panel (Unit Only)
CK-PDP-16-R	16 Channel Power Distribution Panel Retro (Unit Only)
CK-PDP-CC	PDP-16 Connector and Flying Leads
CK-PDP-LF	PDP-16 Connector and Crimp Set
CK-PDP-08	8 Channel Power Distribution Panel (Unit Only)
CK-PDP-08-R	8 Channel Power Distribution Panel Retro (Unit Only)
CK-PDP-CA	PDP-08 Connector and Flying Leads
CK-PDP-LD	PDP-08 Connector and Crimp Set

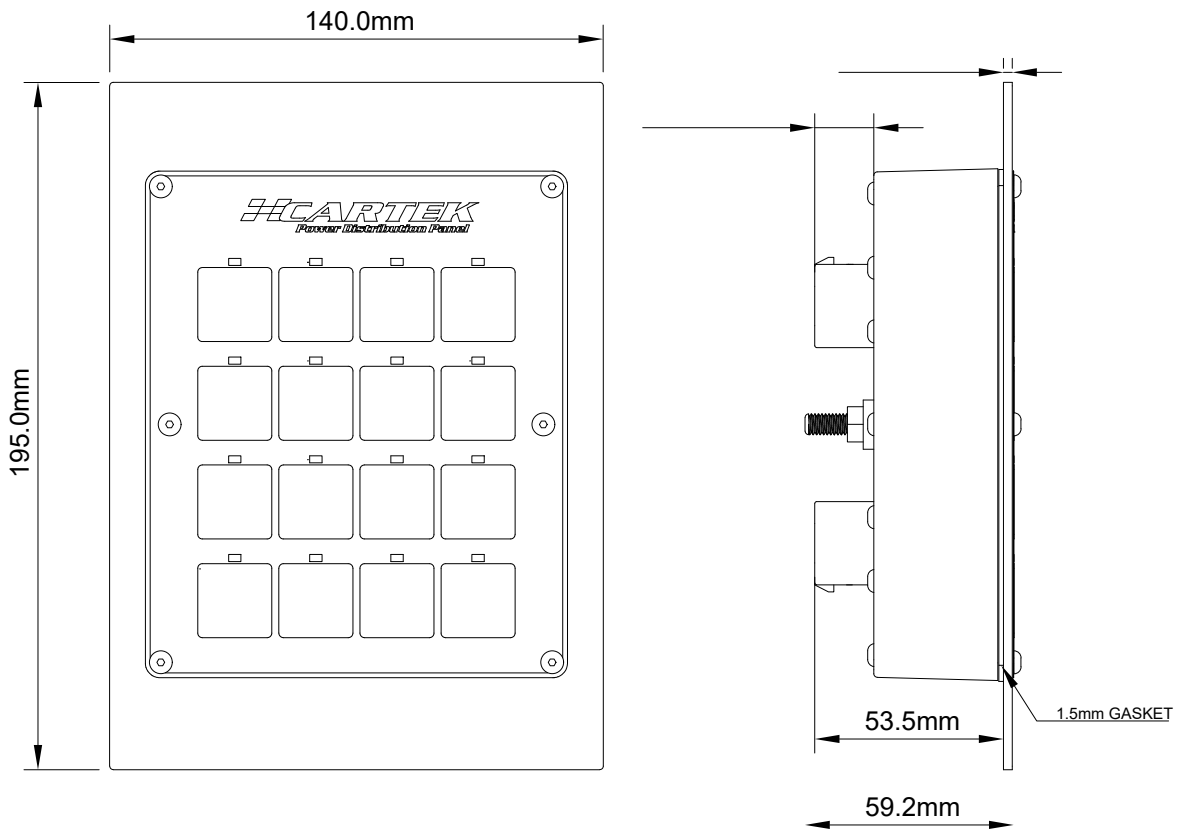
DATA SHEET

PDP-16/PDP-16-R PIN OUT

Pin no:	Connector A (BLACK)	Pin no:	Connector B (BLUE)
1	Channel B2 Power Output	35	Channel F2 Power Output
2	Channel B2 Switch Input/Output	34	Channel F2 Switch Input/Output
3	Channel B2 ECU Input	33	Channel F2 ECU Input
4	Channel B1 Power Output	32	Channel F1 Power Output
5	Channel B1 Switch Input/Output	31	Channel F1 Switch Input/Output
6	Channel B1 ECU Input	30	Channel F1 ECU Input
7	Channel A2 ECU Input	29	Channel E2 ECU Input
8	Channel A2 Switch Input/Output	28	Channel E2 Switch Input/Output
9	Channel A2 Power Output	27	Channel E2 Power Output
10	Channel A1 ECU Input	26	Channel E1 ECU Input
11	Channel A1 Switch Input/Output	25	Channel E1 Switch Input/Output
12	Channel A1 Power Output	24	Channel E1 Power Output
13	N/C	23	N/C
14	N/C	22	N/C
15	N/C	21	N/C
16	N/C	20	Back-light (Low) Power Input
17	Battery Isolator XR Ignition Signal Input	19	XR Signal Input
18	Ground	18	Ground
19	Wiper Park Position Input	17	Back-light (Hi) Power Input
20	N/C	16	N/C
21	Ground	15	N/C
22	N/C	14	N/C
23	N/C	13	N/C
24	Channel C1 Power Output	12	Channel G1 Power Output
25	Channel C1 Switch Input/Output	11	Channel G1 Switch Input/Output
26	Channel C1 ECU Input	10	Channel G1 ECU Input
27	Channel C2 Power Output	9	Channel G2 Power Output
28	Channel C2 Switch Input/Output	8	Channel G2 Switch Input/Output
29	Channel C2 ECU Input	7	Channel G2 ECU Input
30	Channel D1 ECU Input	6	Channel H1 ECU Input
31	Channel D1 Switch Input/Output	5	Channel H1 Switch Input/Output
32	Channel D1 Power Output	4	Channel H1 Power Output
33	Channel D2 ECU Input	3	Channel H2 ECU Input
34	Channel D2 Switch Input/Output	2	Channel H2 Switch Input/Output
35	Channel D2 Power Output	1	Channel H2 Power Output

DATA SHEET

PDP-16/PDP-16-R DIMENSIONS



PDP-16/PDP-16-R TECHNICAL DETAILS

Size:	L = 195mm, W = 140mm.
Weight:	600g.
Battery positive terminal:	M6 stud.
Mating Connectors:	AMPSEAL 776164-1 (Black) AMPSEAL 776164-5 (Blue)
Total Output Current	160A Continuous
Outputs	16
Switch Inputs/Outputs	16
ECU Inputs	16
Battery Isolator XR Ignition Input	2
Dedicated Wiper Park Position Input	1
Operating temperature:	-10°C - +85°C.
Storage temperature:	-40°C - +125°C

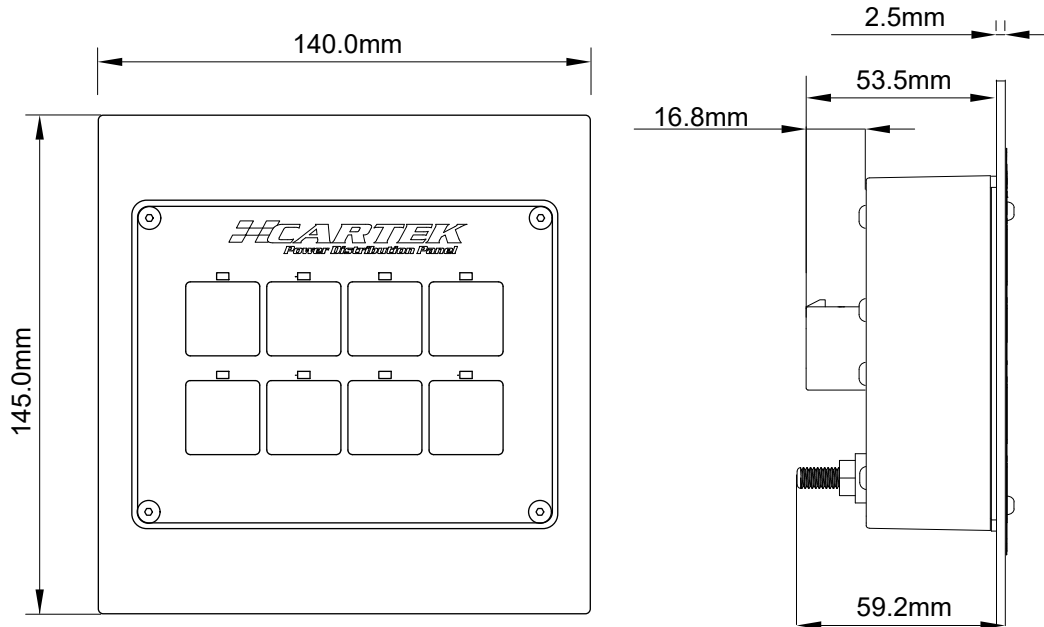
DATA SHEET

PDP-08/PDP-08-R PIN OUT

Pin no:	Connector A (BLACK)
1	Channel B2 Power Output
2	Channel B2 Switch Input/Output
3	Channel B2 ECU Input
4	Channel B1 Power Output
5	Channel B1 Switch Input/Output
6	Channel B1 ECU Input
7	Channel A2 ECU Input
8	Channel A2 Switch Input/Output
9	Channel A2 Power Output
10	Channel A1 ECU Input
11	Channel A1 Switch Input/Output
12	Channel A1 Power Output
13	N/C
14	N/C
15	N/C
16	Back-light (High) Power Input
17	Battery Isolator XR Ignition Signal Input
18	Ground
19	Wiper Park Position Input
20	Back-light (Low) Power Input
21	Ground
22	N/C
23	N/C
24	Channel C1 Power Output
25	Channel C1 Switch Input/Output
26	Channel C1 ECU Input
27	Channel C2 Power Output
28	Channel C2 Switch Input/Output
29	Channel C2 ECU Input
30	Channel D1 ECU Input
31	Channel D1 Switch Input/Output
32	Channel D1 Power Output
33	Channel D2 ECU Input
34	Channel D2 Switch Input/Output
35	Channel D2 Power Output

DATA SHEET

PDP-08/PDP-08-R DIMENSIONS



PDP-08/PDP-08-R TECHNICAL DETAILS

Part No:	CK-PDP-08 / CK-PDP-08-R
Size:	L = 145mm, W = 140mm.
Weight:	450g.
Battery positive terminal:	M6 stud.
Mating Connectors:	AMPSEAL 776164-1 (Black)
Total Output Current	80A Continuous
Outputs	8
Switch Inputs/Outputs	8
ECU Inputs	8
Battery Isolator XR Ignition Inputs	1
Dedicated Wiper Park Position Input	1
Operating temperature:	-10°C - +85°C.