

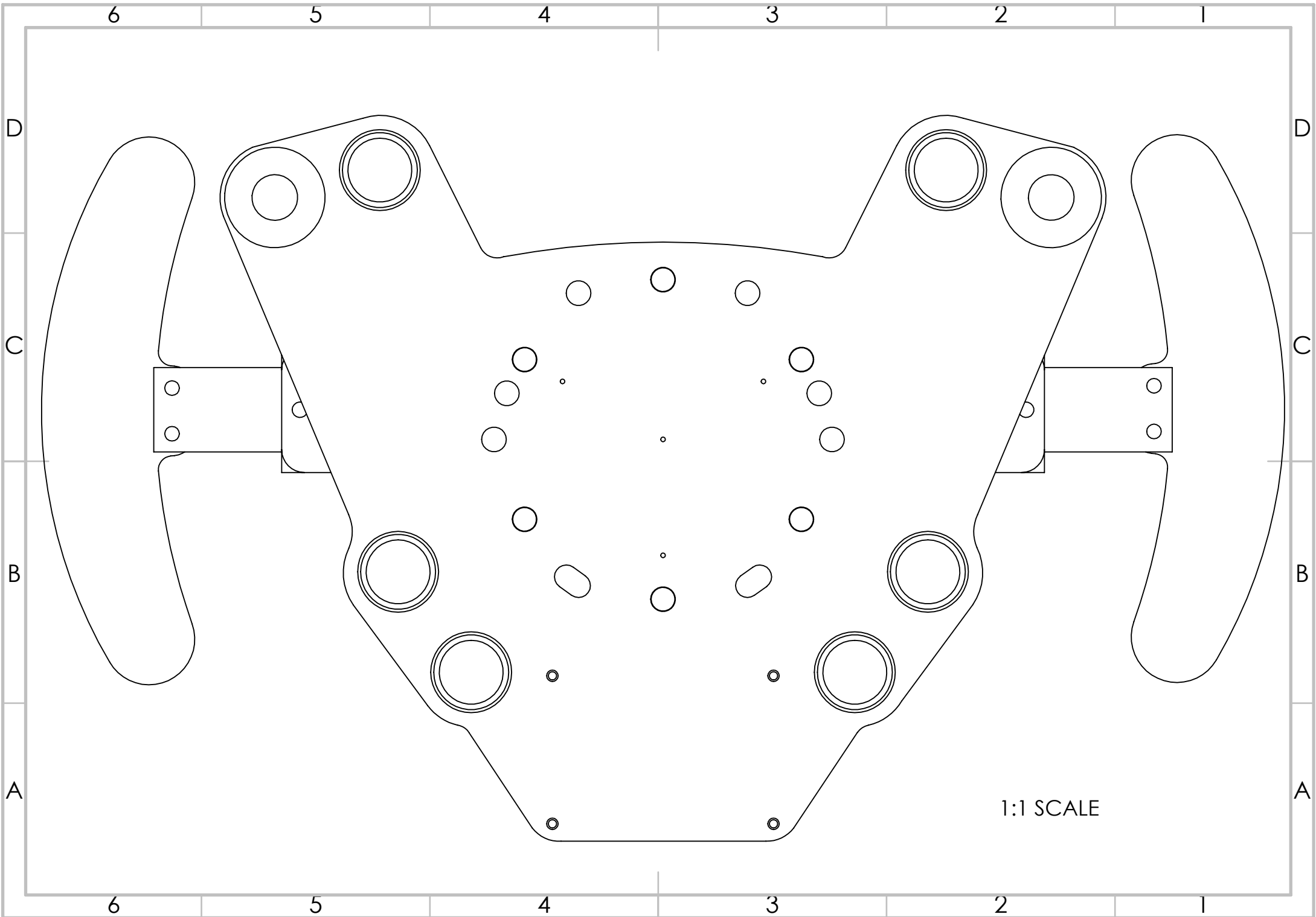
PART NO:-  
 CK-WX-07 SWITCH PANEL DWG

Date of Issue:-  
 21/06/2021

DO NOT SCALE DRAWING, IF IN DOUBT ASK, DO NOT ASSUME.



A4  
 SCALE:1:2  
 SHEET 1 OF 2



6

5

4

3

2

1

D

D

C

C

B

B

A

A

1:1 SCALE

6

5

4

3

2

1